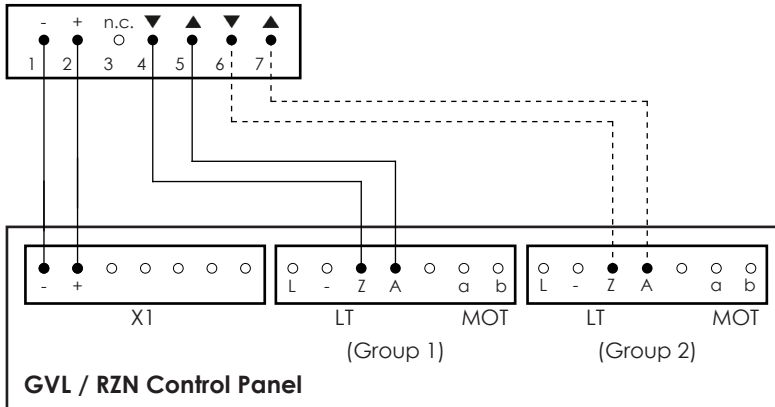
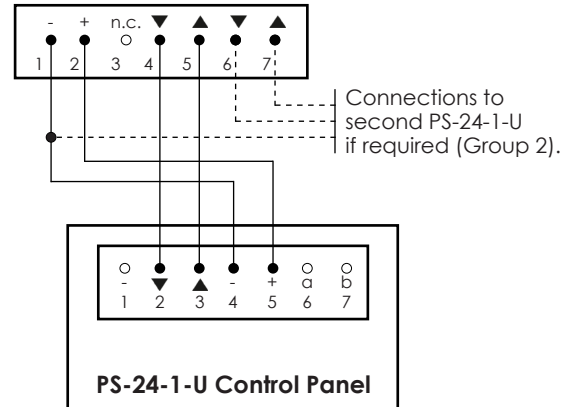


RCM 024-11-U Connections / Pairing Guide

RCM 024-11-U remote receiver



RCM 024-11-U remote receiver



Pairing RCR 11 remote control to RCM 024-11-U	
Start	<p>Start: Hold the set button for 5 seconds or until a single beep is heard, the control panel is now in pairing mode.</p>
Level 1	<p>Short beep = paired Long beep = unpaired</p> <p>Level 1 (pairing of Group 1): The RCM will be emitting a single beep every 5 seconds. Press and hold the right/down button of the first selector on the RCR 11 remote control for 2 seconds or until a short confirmation beep is heard.</p> <p>If Group 2 is required, press the left/up button on the remote control once and see Level 2. If not, skip to Level 3 by pressing the left/up button twice.</p>
Level 2	<p>Short beep = paired Long beep = unpaired</p> <p>Level 2 (pairing of Group 2): The RCM will now be emitting a double beep every 5 seconds. Press and hold the right/down button of the second selector on the remote control for 2 seconds or until a short confirmation beep is heard.</p> <p>Press the left/up button on the remote control and see Level 3.</p>
Level 3	<p>Short beep = non-latching Long beep = latching</p> <p>Level 3 (non-latching/latching): The RCM will now be emitting a triple beep every 5 seconds. As standard the RCM operates in non-latching mode (window will only open if the button is held). If latching mode is required instead (window opening fully from a single press of the button), press and hold right/down button for 2 seconds.</p>
End	<p>Short beep = confirmation</p> <p>End: To complete the pairing process, press the set button, a single confirmation beep will be heard. The remote control is now paired to the control panel.</p>