

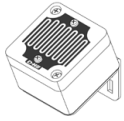


# GVL 8301-K

## Troubleshooting Guide



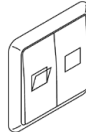
**VRS 10**  
Rain Sensor



**RTR 231**  
Thermostat

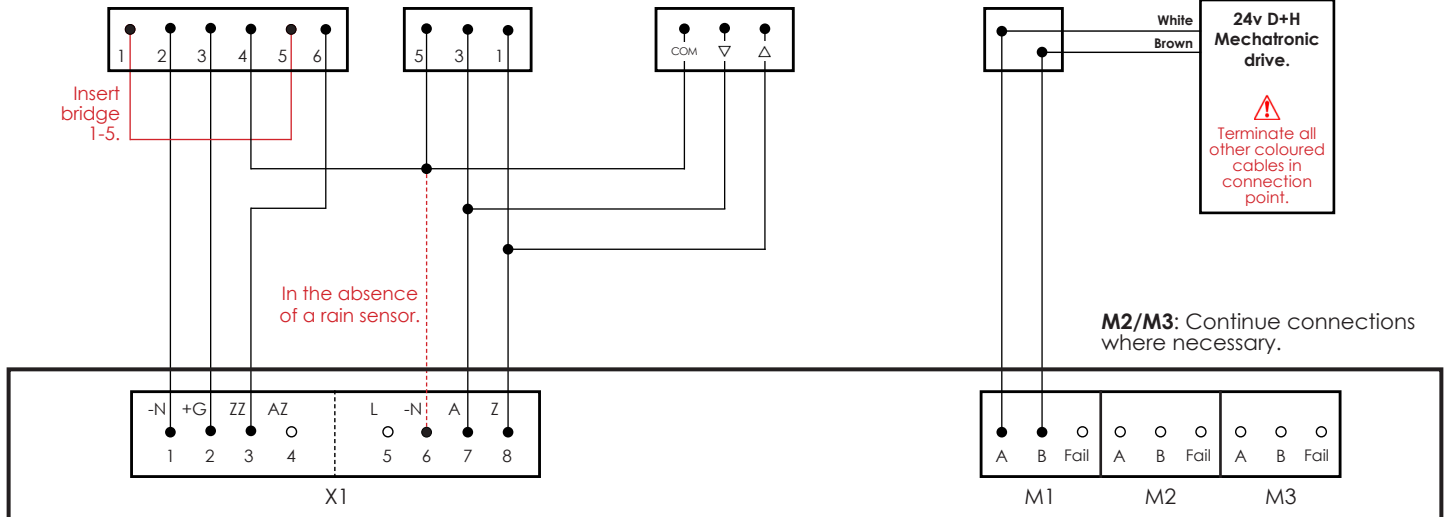
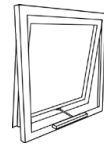


**LT 84-U**  
Wall Switch



**Connection point**  
(local to vent - by others)

**Vent**



## Operational configuration / faults

### Rain Sensor:

- Ensure bridge installed in rain sensor across terminals 1 and 5.
- Connect the common (-) for thermostat or wall switch through terminal 4 on rain sensor, not directly from the control panel when a rain sensor is in the system.
- Rain sensor will provide a close signal for up to 10 minutes after moisture has been detected.

### Thermostat:

- The thermostat will only provide a open or close signal when turned on (I = on, 0 = off).
- If there is no rain sensor in the system the common (-) for thermostat is connected directly into -N, no.6 on the X1 terminal.
- Thermostat will operate on temperature readings 1° above or below the set-point temperature.  
E.g. Set-point temperature 20°, open at 21°, close at 19°.

### Wall Switch:

- The wall switch will only provide a open or close signal when the thermostat is turned off (I = on, 0 = off).
- If there is no rain sensor in the system the common (-) for wall switch is connected directly into no.2 on the LT terminal.
- For wall switch operation (latching or non-latching) see diode configuration below.

### Drive:

- Check motor terminal connections (M1/M2/M3) in the control panel and local connection point.
- Test power supply from terminals A and B in control panel, minimum of 24v DC should be present on operation.
- If voltage is present on operation and connections are correct, the issue is with the drive(s) and not the controls, see drive information for assistance.

### Diode Configuration

- As standard the control panel configuration is set to one-touch operation, single press on switch open or closed, drive opens or closes fully.
- Cutting the diodes will enable press and hold operation, the drive will only operate while a button is pressed and held.



**Not cut:** one touch operation.



**Cut:** Press and hold operation.