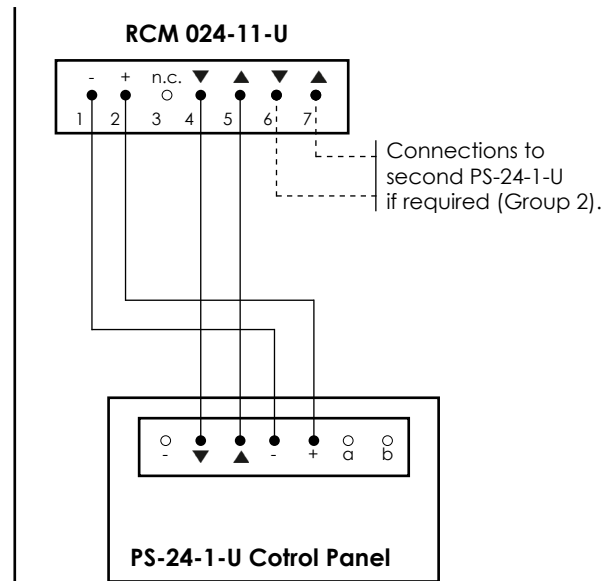
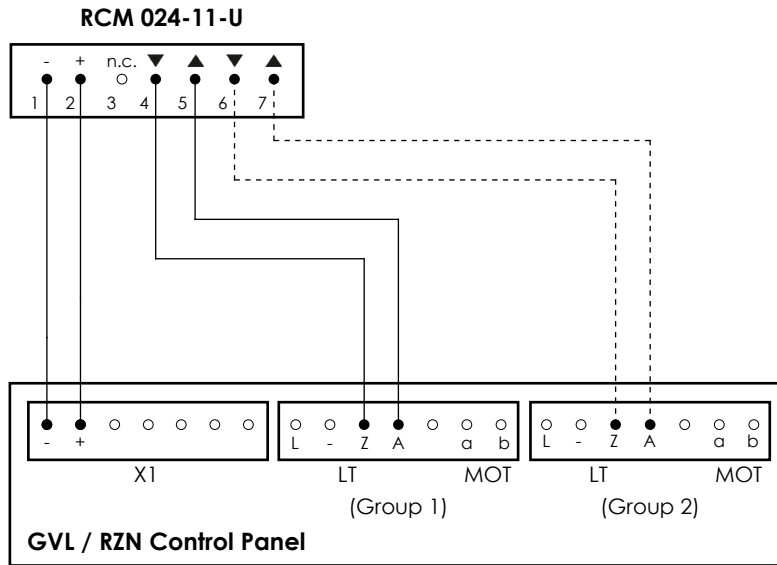




RCM 024-11-U Control Panel

Connections / Pairing Guide



Pairing remote control for RCM 024-11-U	
Start	<p>Start: Hold the set button for 5 seconds or until a single beep is heard, the control panel is now in pairing mode.</p>
Level 1	<p>Level 1 (pairing of Group 1): Whilst the control panel is in pairing mode, press and hold the right/down button of the first selector on the remote control for 2 seconds or until a short confirmation beep is heard. If Group 2 is required, press the left/up button on the remote control and see Level 2. If not, skip to Level 3 by pressing the left/up button twice.</p>
Level 2	<p>Level 2 (pairing of Group 2): The control panel will now be emitting a double beep. Press and hold the right/down button of the second selector on the remote control for 2 seconds or until a short confirmation beep is heard. If tip operation is required, press the left/up button on the remote control and see Level 3. If not, skip to End.</p>
Level 3	<p>Level 3 (non-latching/latching): Drive will only open while the button is held. Storage operation: the drive will open fully from a single press. Press the left/up button on the remote control and see Level 4.</p>
Level 4	<p>Level 4 (non-latching/latching): To unpair all remote controls press and hold right/down button until a single long beep is heard. Press the left/up button on the remote control and see End.</p>
End	<p>End: To complete the pairing process, press the set button, a single confirmation beep will be heard. The remote control is now paired to the control panel.</p>