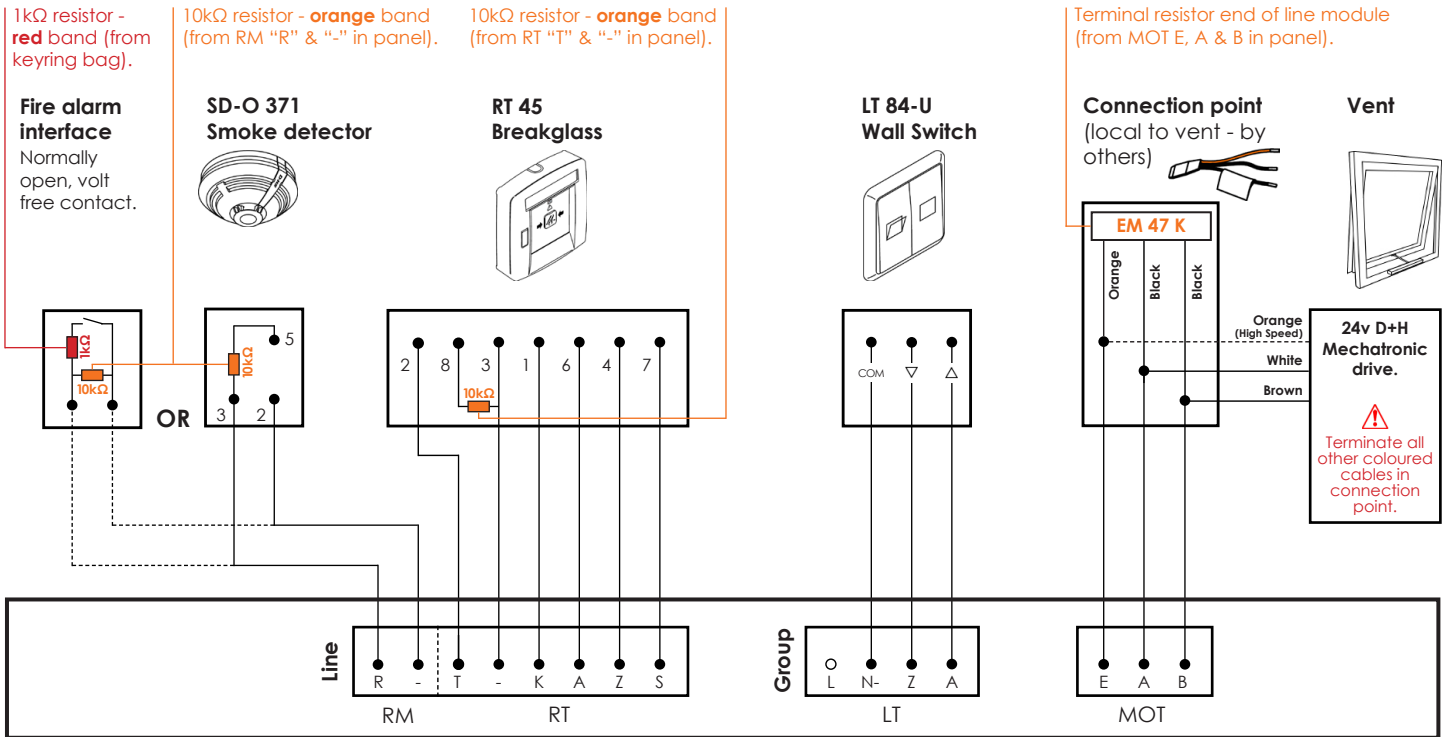




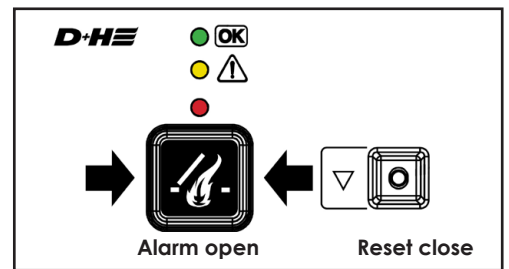
RZN 4404-K

Troubleshooting Guide (1 of 2)



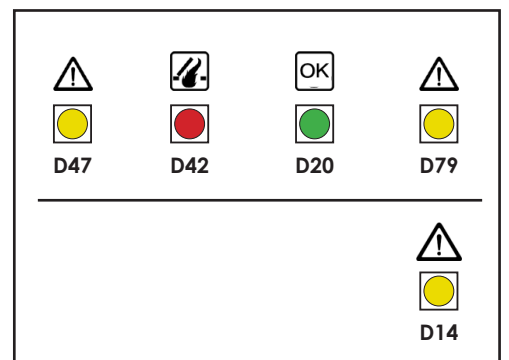
Breakglass display indications

● + ○ + ○	Solid green - System healthy, no faults.
● + ● + ○	Solid green, flashing yellow - System healthy, no fault. Inbuilt service timer expired. Contact Dyer's service & maintenance department.
○ + ● + ○	Flashing yellow - System fault. See panel display indications below.
○ + ○ + ●	Solid red - System in fire.



Panel display indications

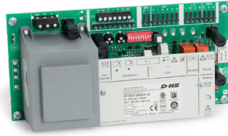
⚠️ ●	D47 Line	<ul style="list-style-type: none"> Indicates an issue between the control panel and control elements (fire alarm interface, smoke detector or breakglass, line button in 'off' position). Each control element requires a single 10kΩ end of line resistor. See above detail. If no fire alarm interface or smoke detector in system, leave 10kΩ end of line resistor in RM terminals "R" & "-". Check external signal fuse has not blown. Ensure line button at top of panel in 'on' position at all times.
🔥 ●	D42 Alarm	<ul style="list-style-type: none"> System in fire.
OK ●	D20 Control	<ul style="list-style-type: none"> System healthy, no faults.
⚠️ ●	D79 Group	<ul style="list-style-type: none"> Issue between the control panel and the drive(s). Ensure EM 47 K drive group end of line is connected as indicated above. Check 1.6 Amp (4402) / 3.15 Amp (4404) fuse has not blown.
⚠️ ●	D14 Battery	<ul style="list-style-type: none"> Incorrect connection of the batteries or 3.15 Amp fuse blown.





RZN 4404-K

Troubleshooting Guide (2 of 2)



Operational faults

Fire alarm interface:

- Confirm signal from interface is normally open volt free.
- 1k Ω triggering resistor installed as detailed on previous page.
- 10k Ω end of line resistor installed as detailed on previous page

Smoke detector:

- Ensure the 10k Ω end of line resistor is installed as detailed on previous page.
- Turn smoke detector head clockwise until a click is heard and a physical connection is made between head and base.

Breakglass:

- 10k Ω end of line resistor installed and connections as detailed on previous page.
- Confirm the breakglass terminal connector is firmly secured onto the PCB.
- Check external signal fuse is present and has not blown.

Drive:

- Check MOT terminal connections in the control panel and local connection point.
- Test power supply from terminals A and B in control panel, minimum of 24v DC should be present on operation (fire).
- If voltage is present on operation and connections are correct, the issue is with the drive(s) and not the controls, see drive information for assistance.
- If no voltage is present on operation, check 1.6 Amp (4402) / 3.15 Amp (4404) fuse is present and has not blown.

DIP-Switches:

- For operational set-up (including one-touch reset of system) see information on control panel data sheet.