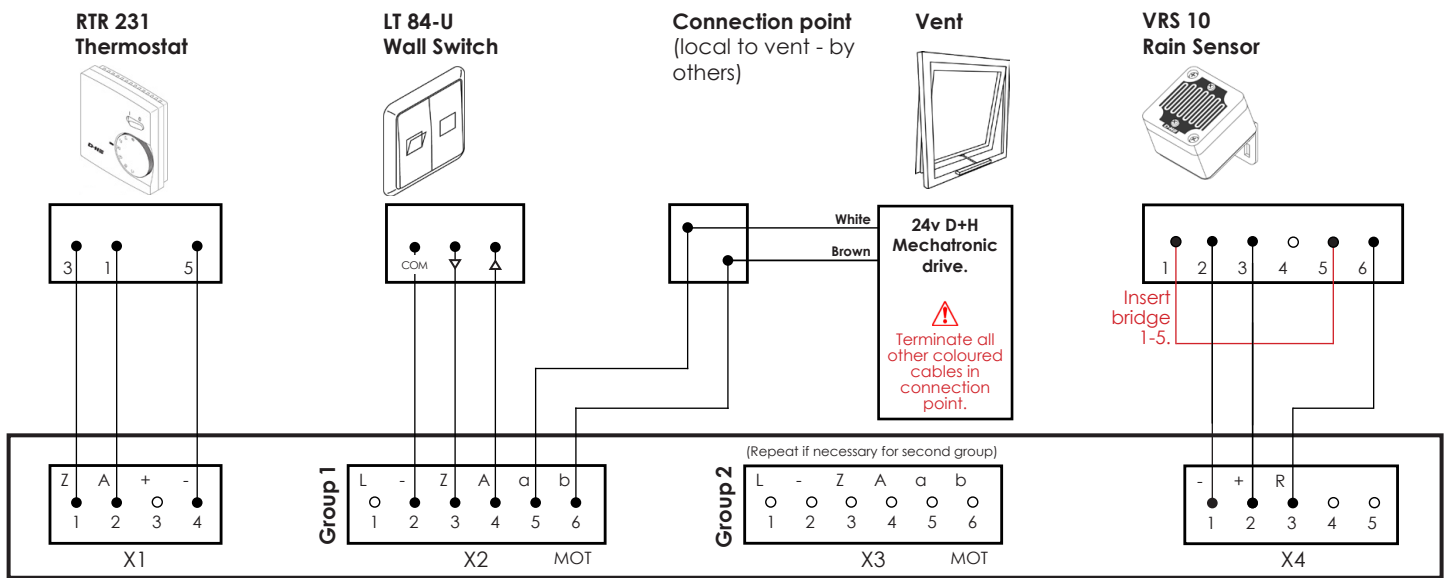


GVL 8401-K-RC Troubleshooting Guide



Pairing remote control

Start		<p>Start: Hold the set button for 5 seconds or until a single beep is heard, the control panel is now in pairing mode.</p>
Level 1		<p>Level 1 (pairing of Group 1): Whilst the control panel is in pairing mode, press and hold the right/down button of the first selector on the remote control for 2 seconds or until a short confirmation beep is heard.</p> <p>If Group 2 is required, press the left/up button on the remote control and see Level 2. If not, skip to End.</p>
Level 2		<p>Level 2 (pairing of Group 2): The control panel will now be omitting a double beep. Press and hold the right/down button of the second selector on the remote control for 2 seconds or until a short confirmation beep is heard.</p>
End		<p>End: To complete the pairing process, press the set button, a single confirmation beep will be heard. The remote control is now paired to the control panel.</p>

Operational configuration / faults

Thermostat:

- The Thermostat will only provide a open or close signal when turned on (1 = on, 0 = off).
- Thermostat is enabled via S2 DIP-Switches number 3 for group 2 and number 7 for group 1.
- Thermostat will operate on temperature readings 1° above or below the set-point temperature. E.g. Set-point temperature 20°, open at 21°, close at 19°.

Wall Switch:

- Wall switch operation (latching or non-latching) is configurable on S2 DIP-Switches numbers 1 and 2 for Group 2, 5 and 6 for Group 1.

Drive:

- Check MOT terminal connections in the control panel and local connection point.
- Test power supply from terminals A and B in control panel, minimum of 24v DC should be present.
- If voltage is present on operation and connections are correct, the issue is with the drive(s) and not the controls, see drive information for assistance.

Rain Sensor:

- Ensure bridge installed in rain sensor across terminals 1 and 5.
- Rain sensor is enabled via S2 DIP-Switches number 4 for group 2 and number 8 for group 1.
- Rain sensor will provide a close signal for up to 10 minutes after moisture has been detected.