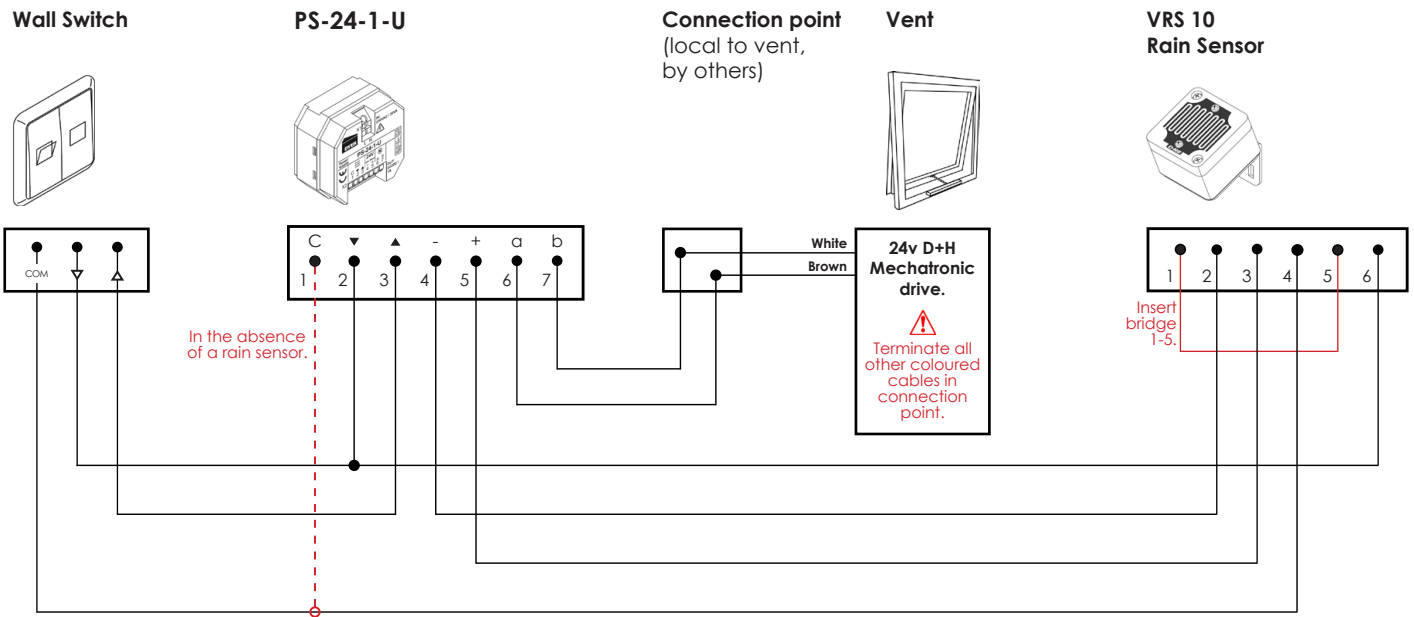


PS-24-1-U Troubleshooting Guide



Operational configuration / faults

Wall Switch:

- If there is no rain sensor in the system the common (-) for wall switch is connected directly into no.1 (C).
- Operational procedure is non-latching, the drive(s) will only operate while button is pressed and held in either open/close.
- Rain sensor will provide override close to both spring-return and fixed position wall switches (if connected as above).

Drive:

- Test power supply from terminals A and B in control panel, minimum of 24v DC should be present on operation.
- If voltage is present on operation and connections are correct, the issue is with the drive(s) and not the controls, see drive information for assistance.

Rain Sensor:

- Ensure bridge installed in rain sensor across terminals 1 and 5.
- Connect the common (-) for wall switch through terminal 4 on rain sensor, not directly from the control panel when a rain sensor is in the system.
- Rain sensor will provide a close signal for up to 10 minutes after moisture has been detected.
- If multiple PS units are to be connected to a single rain sensor, see PS-24-1-U technical datasheet.