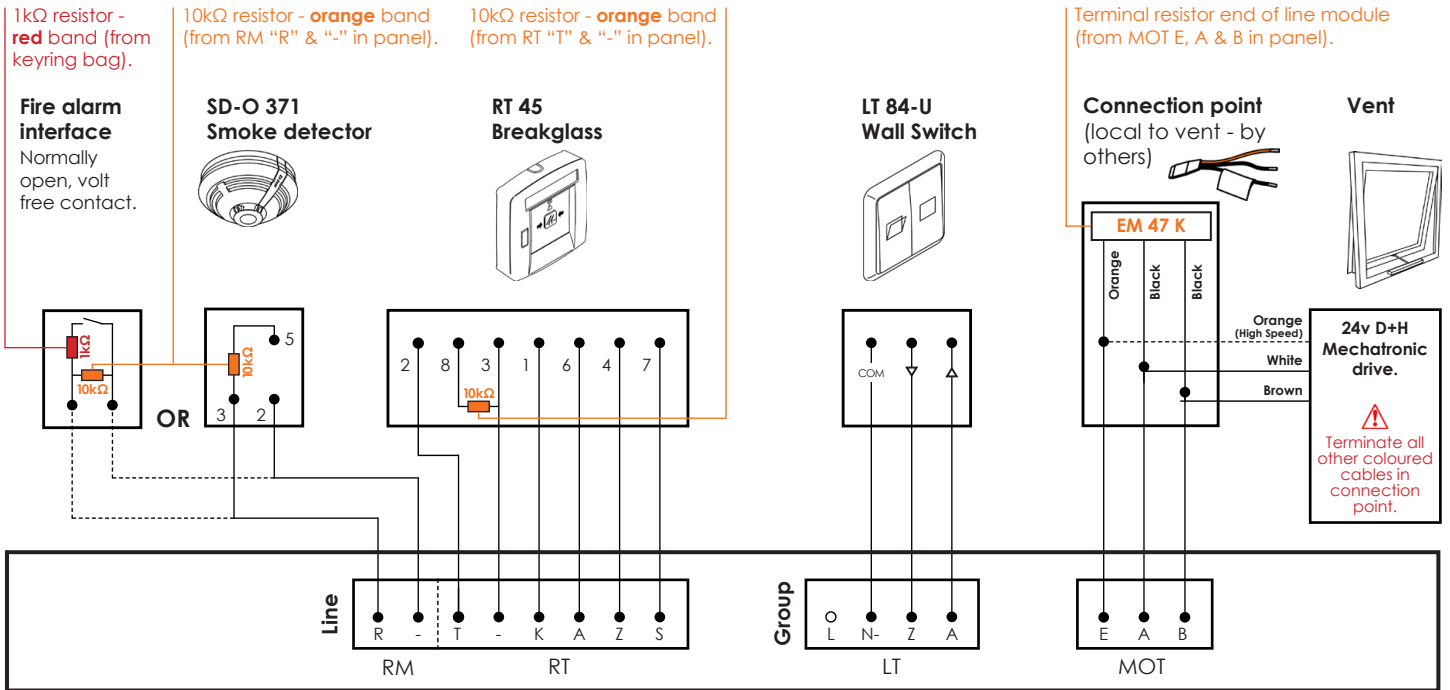
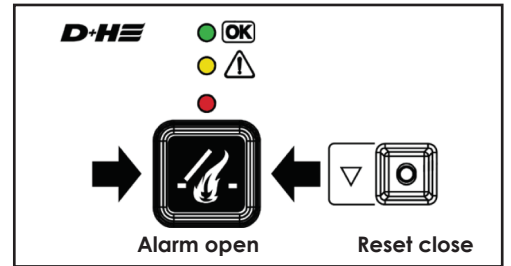


# RZN 4402/04-K V2 Troubleshooting Guide



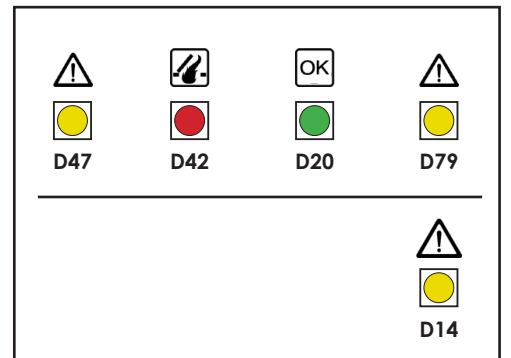
## Breakglass display indications

● + ○ + ○	<b>Solid green</b> - System healthy, no faults.
● + ● + ○	<b>Solid green, flashing yellow</b> - System healthy, no fault. Inbuilt service timer expired. Contact Dyer's service & maintenance department.
○ + ● + ○	<b>Flashing yellow</b> - System fault. See panel display indications below.
○ + ○ + ●	<b>Solid red</b> - System in fire.



## Panel display indications

<b>D47</b> Line	<ul style="list-style-type: none"> <li>Indicates an issue between the control panel and control elements (fire alarm interface, smoke detector or breakglass, line button in 'off' position).</li> <li>Each control element requires a single 10kΩ end of line resistor. See above detail.</li> <li>If no fire alarm interface or smoke detector in system, leave 10kΩ end of line resistor in RM terminals "R" &amp; "-".</li> <li>Check external signal fuse has not blown.</li> <li>Ensure line button at top of panel is in 'on' position at all times.</li> </ul>
<b>D42</b> Alarm	<ul style="list-style-type: none"> <li>System in fire.</li> </ul>
<b>D20</b> Control	<ul style="list-style-type: none"> <li>System healthy, no faults.</li> </ul>
<b>D79</b> Group	<ul style="list-style-type: none"> <li>Issue between the control panel and the drive(s). Ensure EM 47 K drive group end of line is connected as indicated above.</li> <li>Check 1.6 Amp (4402) / 3.15 Amp (4404) fuse has not blown.</li> </ul>
<b>D14</b> Battery	<ul style="list-style-type: none"> <li>Incorrect connection of the batteries or 3.15 Amp fuse blown.</li> </ul>



## RZN 4402/04-K V2 Troubleshooting Guide

---

### Operational faults

#### **Fire alarm interface:**

- Confirm signal from interface is normally open volt free.
- 1k $\Omega$  triggering resistor installed as detailed on previous page.
- 10k $\Omega$  end of line resistor installed as detailed on previous page

#### **Smoke detector:**

- Ensure the 10k $\Omega$  end of line resistor is installed as detailed on previous page.
- Turn smoke detector head clockwise until a click is heard and a physical connection is made between head and base.

#### **Breakglass:**

- 10k $\Omega$  end of line resistor installed and connections as detailed on previous page.
- Confirm the breakglass terminal connector is firmly secured onto the PCB.
- Check external signal fuse is present and has not blown.

#### **Drive:**

- Check MOT terminal connections in the control panel and local connection point.
- Test power supply from terminals A and B in control panel, minimum of 24v DC should be present on operation (fire).
- If voltage is present on operation and connections are correct, the issue is with the drive(s) and not the controls, see drive information for assistance.
- If no voltage is present on operation, check 1.6 Amp (4402) / 3.15 Amp (4404) fuse is present and has not blown.

#### **DIP-Switches:**

- For operational set-up (including one-touch reset of system) see information on control panel data sheet.